



DIAL-DAC

DAC1793 for Raspberry Pi

I2S Driver:

Most generic I2S drivers will work with this DAC, Hifiberry and PCM1794 based DAC drivers can also be used. Please note 16bit playback is not supported by some drivers.

I recommend Moode Player <http://moodeaudio.org/>

- Select at MPD settings I2S audio device
- Install at the system configuration Linux kernel advanced. (advanced kernel supports 64fs bitblock)
- Select at the system audio settings one of these drivers:
Generic-2 I2S (rpi dac)
Rpi-DAC
- if you prefer upsampling, try 32bit/192kHz, sounds better than upsampling to 24bit/192kHz, output stream will be always 24bit.

Volumio 1.55

- driver: Hifiberry DAC
- resampling to 24bit plays all files

Volumio2:

- driver: Generic I2S, Soekris dam 1021 or Hifiberry DAC
- use version 2.163 for upsampling

PiCore Player:

- driver: RPiDAC

Power supply:

A symmetrical power supply with a voltage of +/- 12-15V is required. I recommend a audiophil linear power supply of minimum 2x 100mA.

Current consumption:

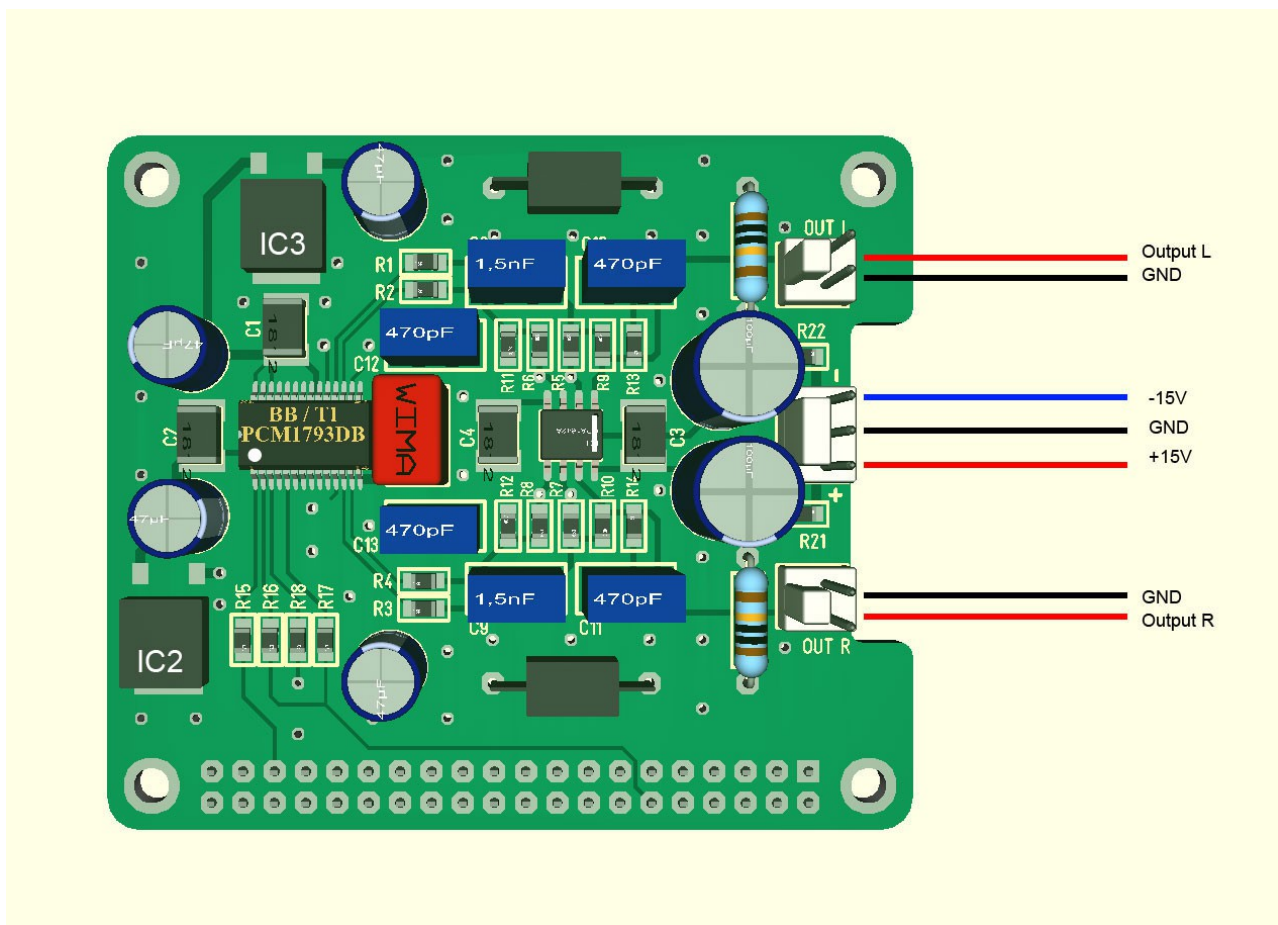
+15V ca. 25mA

-15V ca. 10mA.

Specifications:

- 24-Bit Resolution
- up to 200kHz sampling frequency
- Dynamic Range: 113 dB
- THD+N: 0.001%
- Full-Scale Output: 2.1 V rms
- 8× Oversampling Digital Filter
- Analog Low Pass Filter $f_c=83\text{kHz}$

Connections:



DIAL audio
Alexander Dittmar
Windmühlenstraße 22
08523 Plauen

www.dial-audio.de
info@dial-audio.de